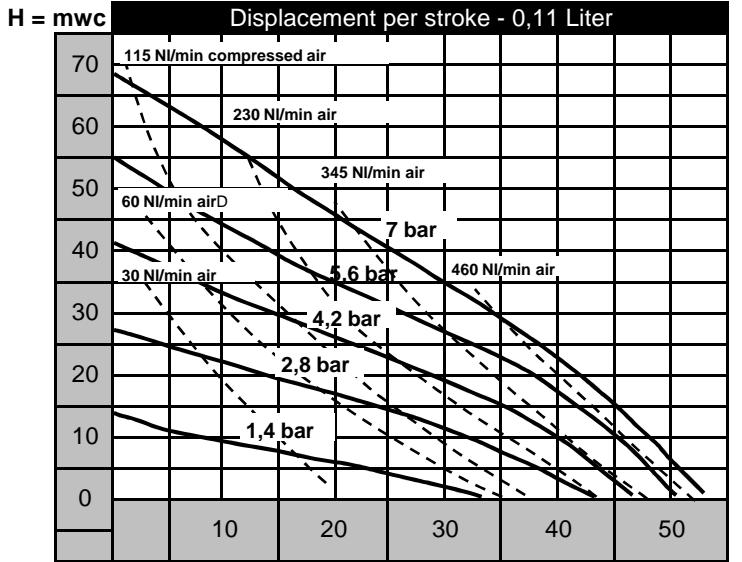


## PERFORMANCE FOR WATER



Caution! Compressed air pressure should not exceed 6,8 bar

Attention! with Teflon-PTFE diaphragms the capacity will be reduced with 20%

### Execution

The pump chambers are bolted together

The air motor is fitted on an aluminium central body

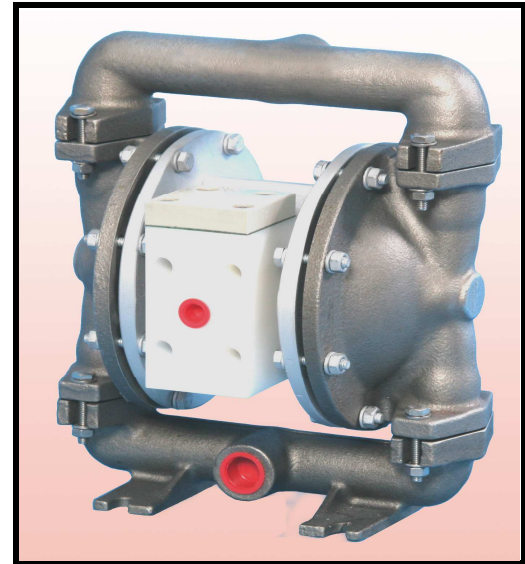
The air motor is anti-stalling, non-icing, lubrication free .

Complete with JET muffler 72.0 dB(A)

Manifolds are 180° reversible

### Technical specifications

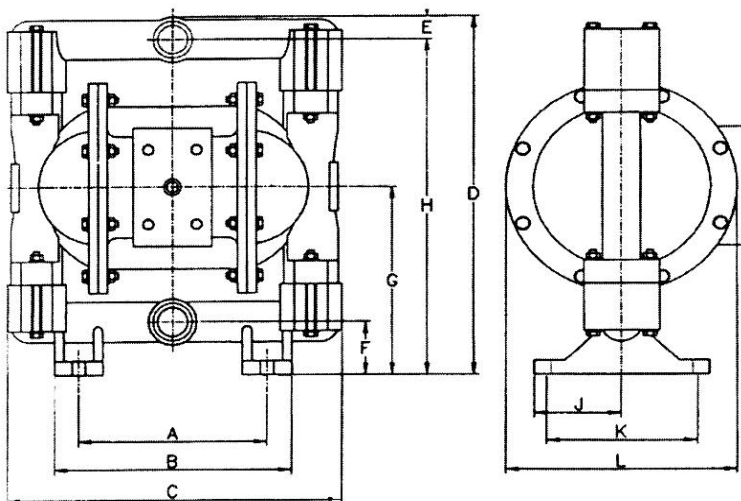
Flow	adjustable to 0 - 53 l/min
Discharge pressure	variable 0 - 6,8 bar
Suction lift	dry 4,5 m / wet 7,5 mwc
Suction lift, Teflon	dry 1,5 m / wet 3 mwc
Free passage	max. 1,6 mm Ø
Suction connection	1/2" BSP-female
Discharge connection	1/2" BSP-female
Air inlet	3/8" NPT-female
Muffler	3/8" NPT-female



Wetted pump parts	Weight
T53-S - AISI 316 (1.4401)	8,2 kg

Elastomers		Temperature limits	
N	Neoprene	-18	till 95 °C
B	Buna-N	-12	till 80 °C
E	EPDM	-51	till 138°C
XL	Thermoplast	-30	till 150°C
V	Viton	-40	till 175°C
T	Teflon	-4	till 105°C
TW	Vulcanised Teflon	-4	till 105°C
G	Geolast	-40	till 130°C

## DIMENSIONS



Dimensions	
Item	mm
A	114
B	143
C	206
D	235
E	13
F	32
G	114
H	216
J	51
K	86
L	178

## Specifications and Performances

Consult factory for certified drawings.

