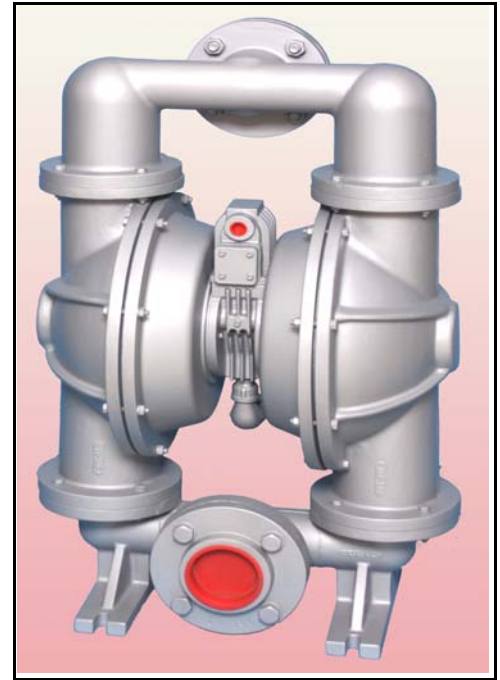
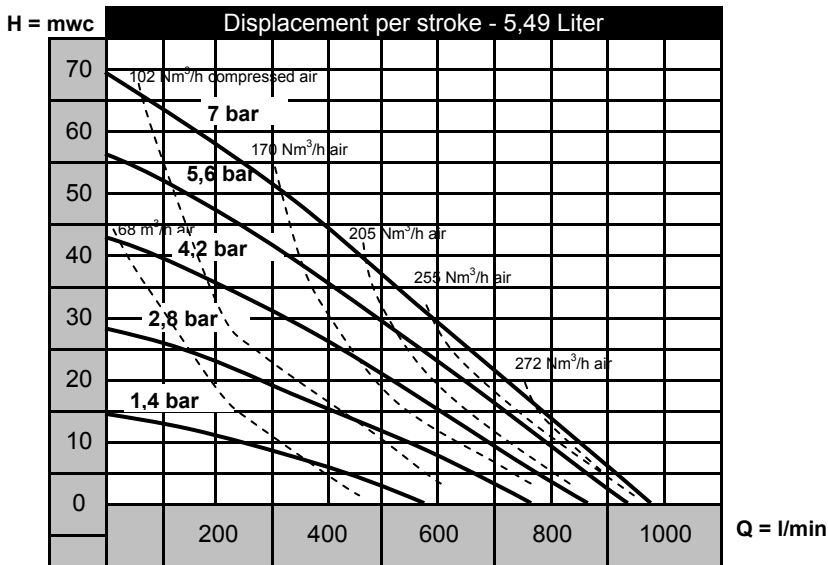


## PERFORMANCE FOR WATER



Wetted pump parts		Weight
T985-A	Aluminium	53 kg
T985-S	Stainless St. AISI316	96 kg

Elastomers		Temperature limits	
N	Neoprene	-18	till 95 °C
B	Buna-N	-12	till 80 °C
E	EPDM	-51	till 138 °C
X	Santoprene	-30	till 150 °C
V	Viton	-40	till 175 °C
TW	Vulcanised Teflon	-4	till 105 °C
G	Geolast	-40	till 130 °C

### Execution

The pump chambers are bolted together  
 The air motor is fitted on an aluminium central body  
 The air motor is anti-stalling, non-icing, lubrication free.  
 Complete with 3M muffler 67.1 dB(A)  
 Manifolds are 180° reversible

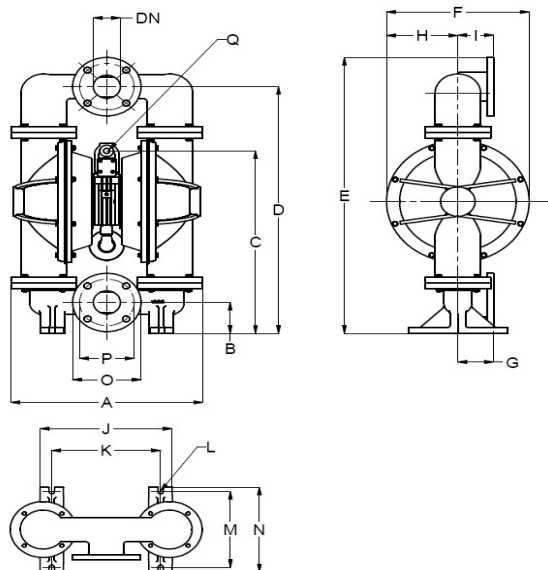
### Technical specifications

Flow adjustable to 0 - 985 l/min  
 Discharge pressure variable 0 - 8,5 bar  
 Suction lift dry 6,0 m / wet 7,5 m  
 Suction lift, Teflon dry 3,0 m / wet 6,0 m  
 Free passage max. 10 mmØ  
 Suction connection DN75 - PN10  
 Discharge connection DN75 - PN10  
 Air inlet 1/2" NPT-female  
 Muffler 1" NPT-female

### DIMENSIONS

Sizes mm	
A	538
B	102
C	600
D	811
E	907
F	400
G	100
H	200
I	100
J	370
K	305
L	15
M	249
N	278
Q	1/2" Fem.

Flanges PN 10	
Metric mm.	
O	192
P	153
DN	76
Holediam.	20



### Specifications and Performances

Serial Metallic with Aluminium Centersection  
 Consult factory for certified drawings.

