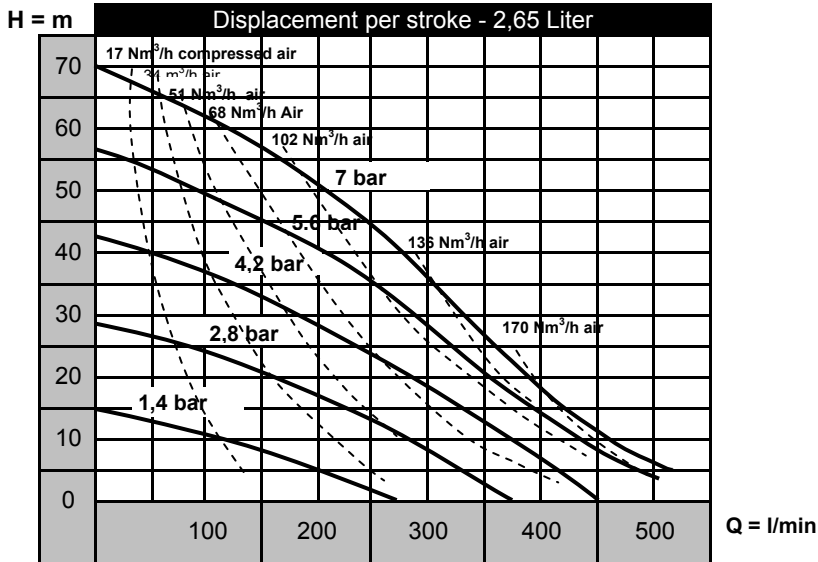


PERFORMANCE FOR WATER



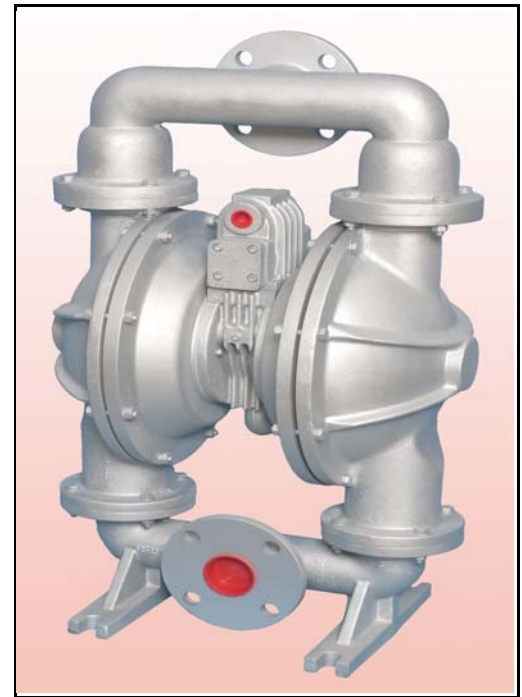
Attention! with Teflon-PTFE diaphragms the capacity will be reduced with 20%
Caution! Compressed air pressure should not exceed 8,5 bar

Execution

The pump chambers are bolted together
The air motor is fitted in an aluminium body
The air mechanism is anti-stalling, non-icing and lubrication free
Complete with JET muffler 77.0 dB(A)
Manifolds are 180° reversible

Technical specifications

Flow variable 0 - 538 l/min
Discharge pressure variable 0 - 8,5 bar
Suction lift dry 6,0 m / wet 7,5 m
Suction lift, Teflon dry 3,0 m / wet 6,0 m
Free passage max. 6,5 mmØ
Suction connection DN50 - PN10
Discharge connection DN50 - PN10
Air inlet 1/2" NPT-female
Muffler 3/4" NPT-female

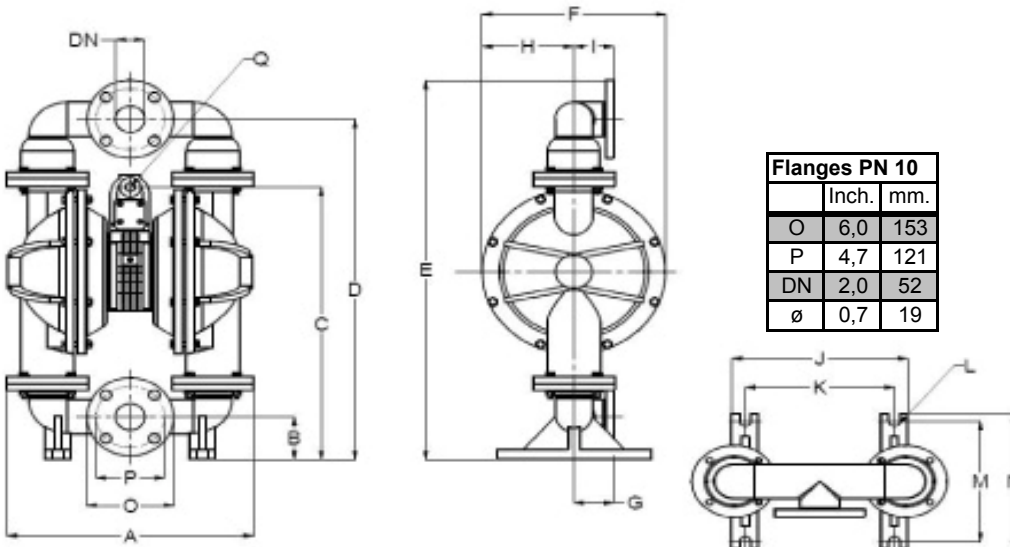


Wetted pump parts		Weight
T538-A	Aluminium	32 kg
T538-S	Stainless St. AISI316	53 kg

Elastomers		Temperature limits	
N	Neoprene	-18	till 95 °C
B	Buna-N	-12	till 80 °C
E	EPDM	-51	till 138°C
G	Geolast	-40	till 130°C
X	Santoprene	-30	till 150°C
V	Viton	-40	till 175°C
TW	Vulcanised Teflon	-4	till 105°C

Note! Geolast replaces EPDM, Buna, Neoprene

DIMENSIONS



Dimensions T538 M

	Inches	Metric mm.
A	17,1	435
B	3,3	84
C	21,1	535
D	26,3	669
E	29,4	746
F	12,7	323
G	2,8	70
H	6,4	161,5
I	2,8	70
J	11,8	299
K	10,0	254
L	0,8	20
M	9,4	240
N	10,6	270
Q	1/2" Fem.	1/2" Fem.

Specifications and Performances

Serial Metallic with Aluminium Centersection
Consult factory for certified drawings.

