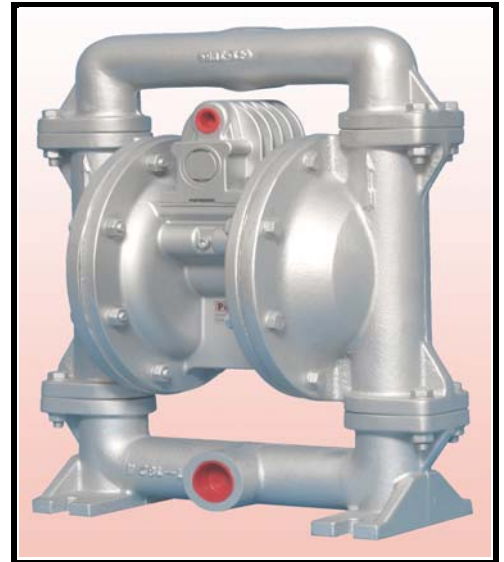
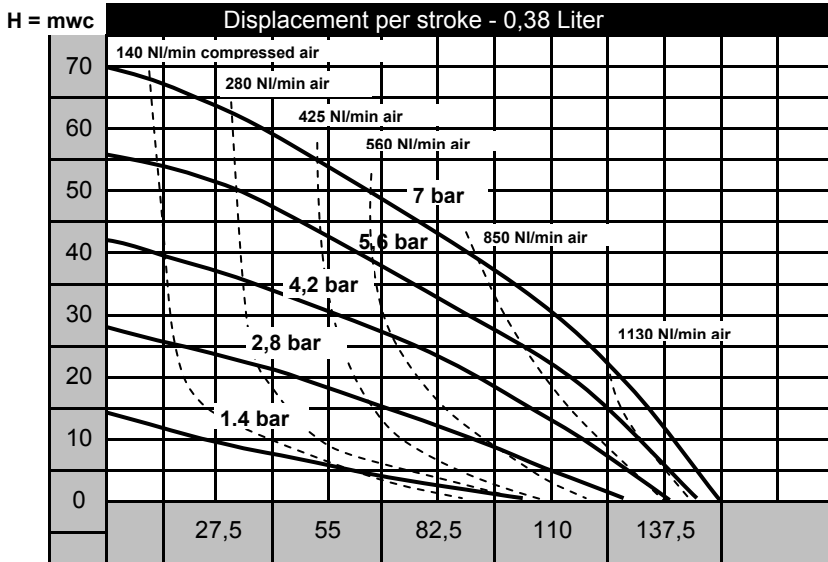


## PERFORMANCE FOR WATER



Caution! Compressed air pressure should not exceed 8,5 bar  
 Attention! with Teflon-PTFE diaphragms the capacity will be reduced with 20%

### Execution

The pump chambers are bolted together  
 The air motor is fitted on an aluminium central body  
 The air motor is anti-stalling, non-icing, lubrication free and without blow-by.  
 Complete with JET muffler 77.0 dB(A)  
 Manifolds are 180° reversible

### Technical specifications

Flow adjustable to 0 - 132 l/min  
 Discharge pressure variable 0 - 8,5 bar  
 Suction lift dry 4,5 m / wet 7,5 m  
 Suction lift, Teflon dry 2,5 m / wet 5,5 m  
 Free passage max. 4 mmØ  
 Suction connection 1" BSP-female  
 Discharge connection 1" BSP-female  
 Air inlet 3/8" NPT-female  
 Muffler 1/2" NPT-female

## EMINENT

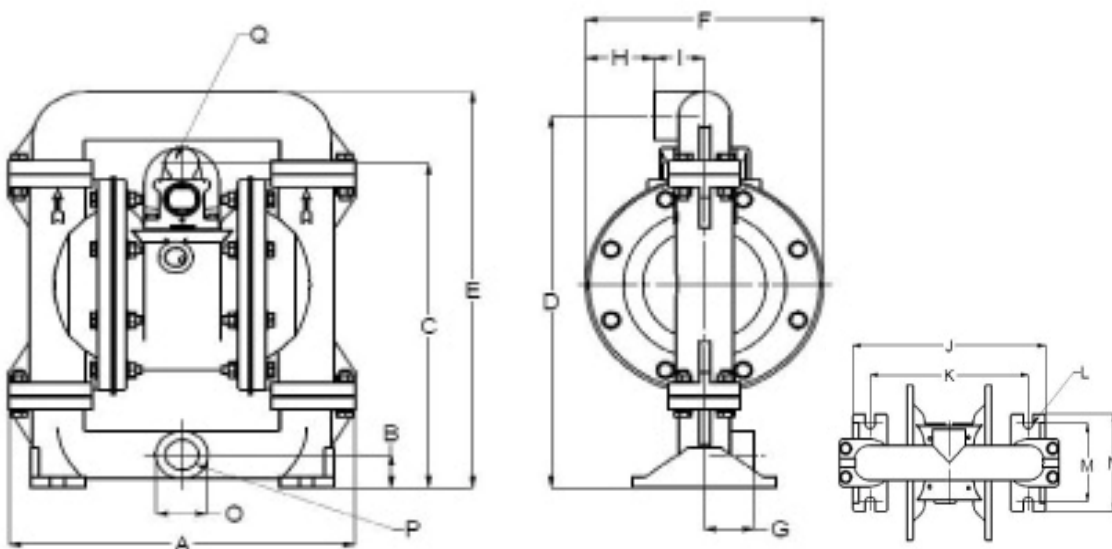
Serial Eminent includes Shoevalve System

Wetted pump parts	Weight
TE132-A - Aluminium	14 kg

Elastomers		Temperature limits	
N	Neoprene	-18	till 95 °C
B	Buna-N	-12	till 80 °C
E	EPDM	-51	till 138°C
G	Geolast	-40	till 130°C
XL	Thermoplast	-30	till 150°C
X	Back-Up Teflon	-30	till 150°C
V	Viton	-40	till 175°C
T	Teflon	-4	till 105°C
TW	Vulcanised Tefl.	-4	till 105°C

Note! Geolast replaces EPDM, Buna, Neoprene

## DIMENSIONS



Dimensions	
	Metric mm.
A	305
B	31,5
C	312,5
D	358,5
E	381,5
F	209
G	44
H	60,5
I	44
J	267
K	219
L	13
M	102
N	127
O	46
P	1" Female
Q	3/8" Female

## Specifications and Performances

Serial Eminent with Shoe Valve & Aluminium Centersection  
 Consult factory for certified drawings.

