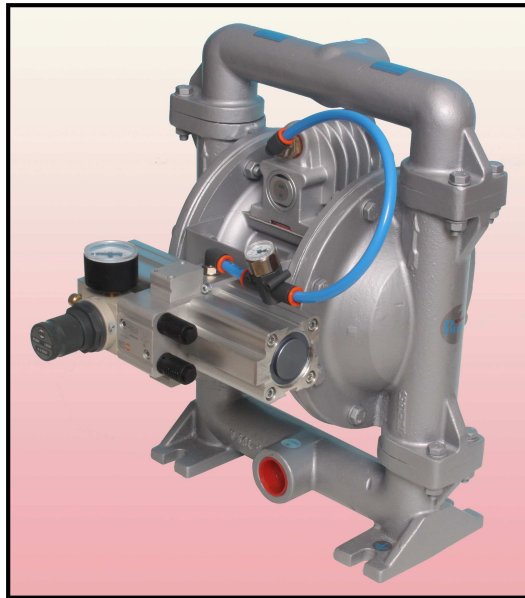


FOR FILTER PRESSES

TE-132HP-A/S

Specifications & Performance

High Pressure execution.



Using the latest technological advances we can announce in each and every TECNO-MATIC Pump:

- 1– BOLTED DIAPHRAGM CHAMBERS** that prevent leaks.
- 2– A non-stalling, non-freezing lubrication-free valve** that performs reliably, wet or dry.
- 3– Serial Eminent includes Shoevalve System for Zero Blow-By**

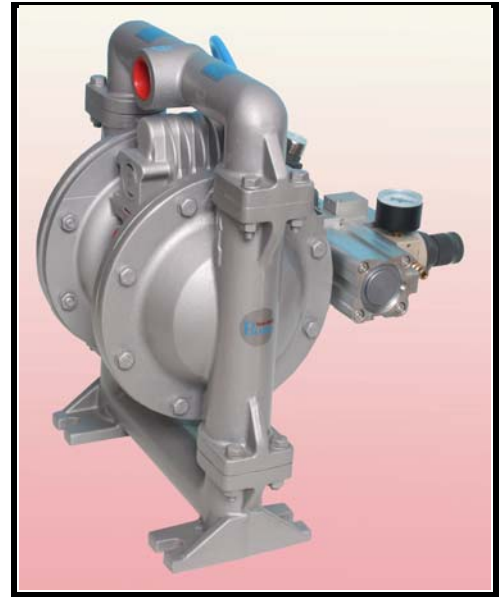
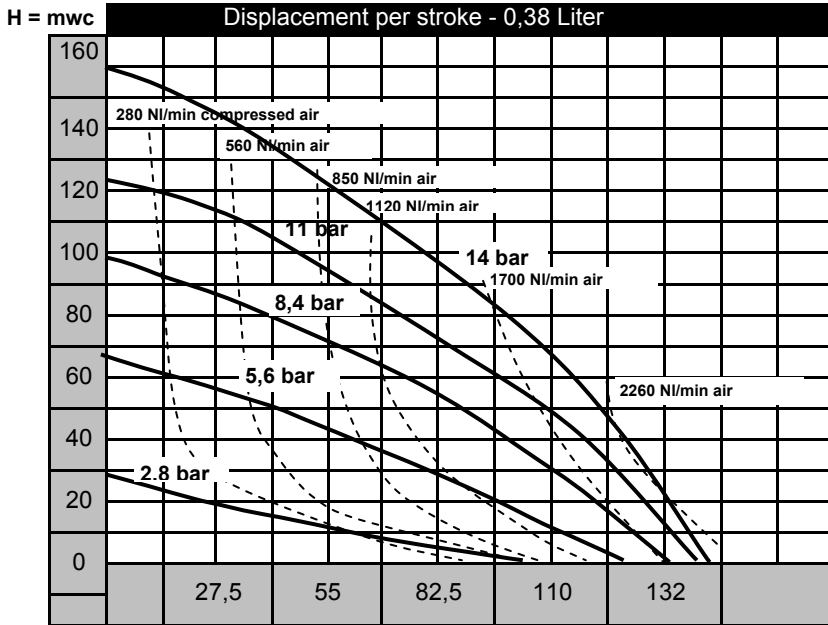
FOR FILTER PRESSES

TULIP PUMPS BV.
Goorsteeg 120
6718TB Ede.
Holland

T.+31(0) 65 15 40 711
F.+31(0) 31 84 87 293
www.tulippumps.com
E-mail: postmaster@tulippumps.com



PERFORMANCE FOR WATER



Caution! Supplied compressed air pressure should not exceed 8 bar
Attention! with Teflon-PTFE diaphragms the capacity will be reduced with 20%

Execution

The pump chambers are bolted together
The air motor is anti-stalling, non-icing, lubrication free and without blow-by.
Complete with JET muffler 77.0 dB(A)
Manifolds are 180° reversible

Technical specifications

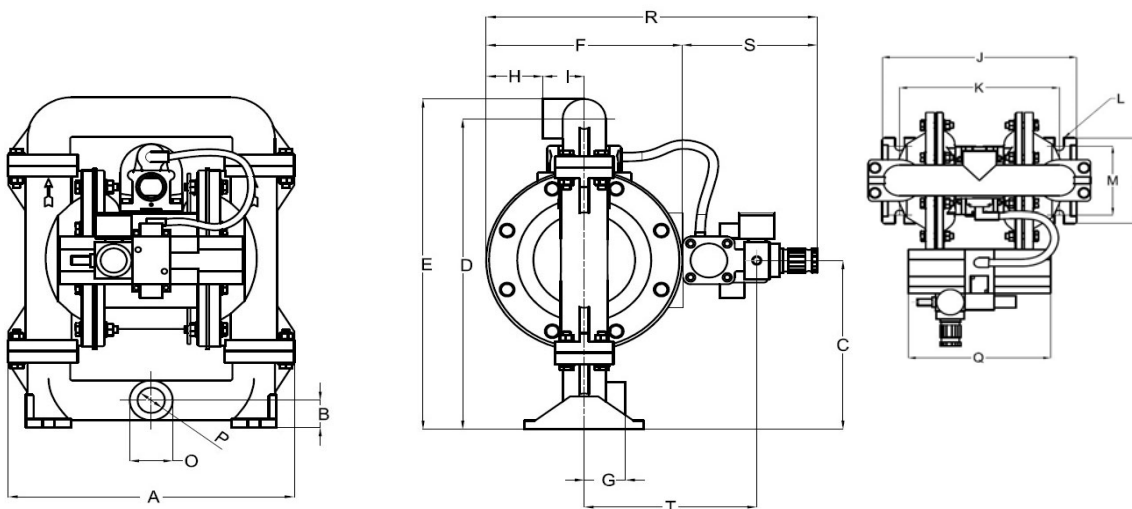
Flow adjustable - 0 - 132 l/min
Discharge pressure variable 0 - 16 bar
Suction lift dry 4,5 m / wet 7,5 m
Suction lift, Teflon dry 2,5 m / wet 5,5 m
Free passage max. 4 mmØ
Suction connection 1" BSP-female
Discharge connection 1" BSP-female
Air inlet 3/8" NPT-female
Muffler 1/2" NPT-female

HIGH PRESSURE

FOR FILTER PRESSES

Wetted pump parts		Weight		
TE132-A - Aluminium		14 kg		
Elastomers		Temperature limits		
N	Neoprene	-18	till	95 °C
B	Buna-N	-12	till	80 °C
E	EPDM	-51	till	138°C
G	Geolast	-40	till	130°C
XL	Thermoplast	-30	till	150°C
X	Back-Up Teflon	-30	till	150°C
V	Viton	-40	till	175°C
T	Teflon	-4	till	105°C
TW	Vulcanised Tefl.	-4	till	105°C

DIMENSIONS



Dimensions mm	
A	305
B	31,5
C	195
D	358,5
E	381,5
F	209
G	44
H	60,5
I	44
J	267
K	219
L	13
M	102
N	127
O	46
P	1" Female
Q	195
R	353
S	144
T	184

Specifications and Performances

Serial Eminent with Shoe Valve & Aluminium Centersection
Consult factory for certified drawings.

