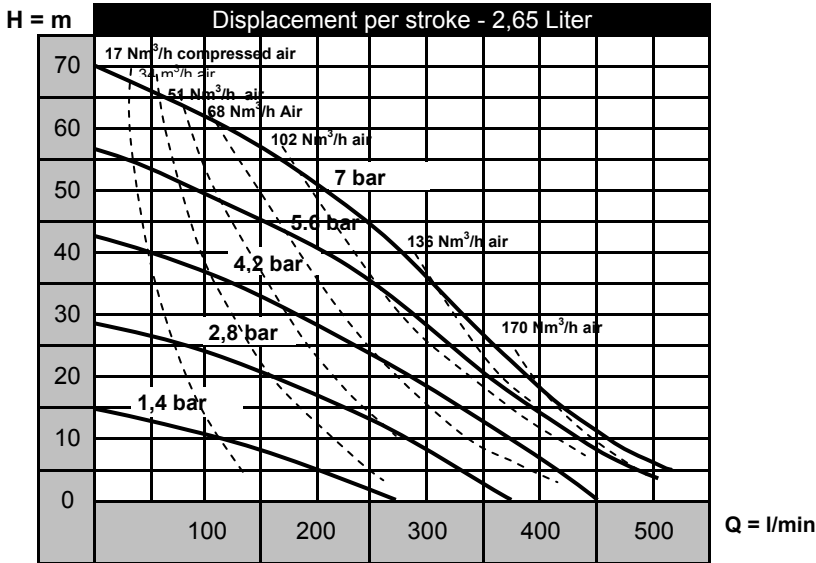


Air Operated Diaphragm Pumps

T538 - P

PERFORMANCE FOR WATER



Attention! with Teflon-PTFE diaphragms the capacity will be reduced with 20%
Caution! Compressed air pressure should not exceed 8,5 bar

Execution

The pump chambers are bolted together
The air motor is fitted in an aluminium body
The air mechanism is anti-stalling, non-icing and lubrication free
Complete with JET muffler 77.0 dB(A)
Manifolds are 180° reversible
Available with flanged connections

Technical specifications

Flow variable 0 - 538 l/min
Discharge pressure variable 0 - 8,5 bar
Suction lift dry 6,0 m / wet 7,5 m
Suction lift, Teflon dry 3,0 m / wet 6,0 m
Free passage max. 6,5 mmØ
Suction connection 2" BSP-female
Discharge connection 2" BSP-female
Air inlet 1/2" NPT-female
Muffler 3/4" NPT-female



NON- METALLIC

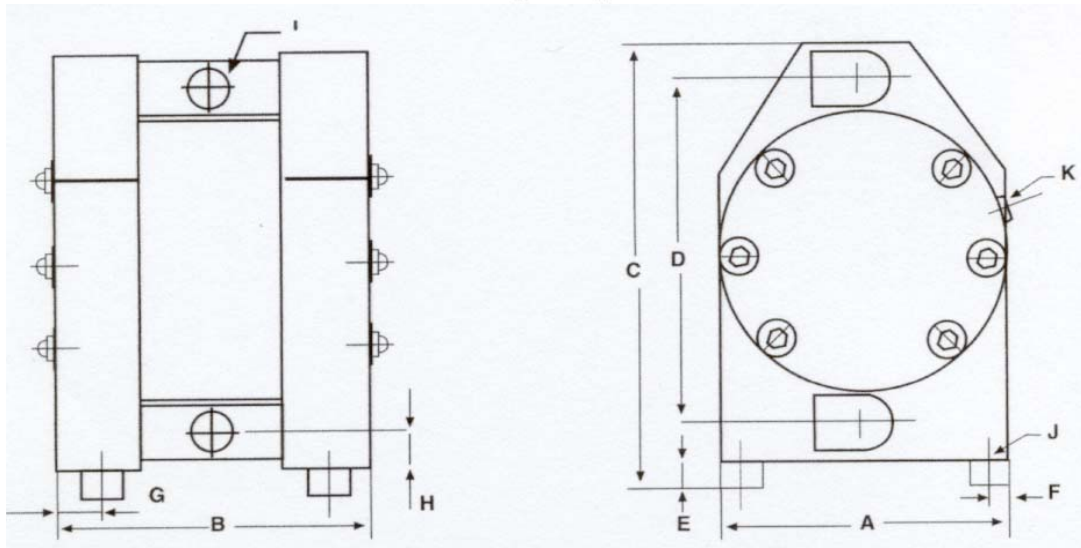
Wetted pump parts		Weight
T538-P	Polyethylene	31,7 kg

Elastomers		Temperature limits	
N	Neoprene	-18	till 95 °C
B	Buna-N	-12	till 80 °C
E	EPDM	-51	till 138°C
G	Geolast	-40	till 130°C
X	Santoprene	-30	till 150°C
V	Viton	-40	till 175°C
TW	Vulcanised Teflon	-4	till 105°C

Note! Geolast replaces EPDM, Buna, Neoprene

DIMENSIONS

Sizes in mm	
A	425
B	330
C	600
D	430
E	35
F	45
G	55
H	55
I	2"
J	M 8x25
K	1/2"Female



Specifications and Performances

Serial Non-Metallic with Aluminium Centersection
Consult factory for certified drawings.

