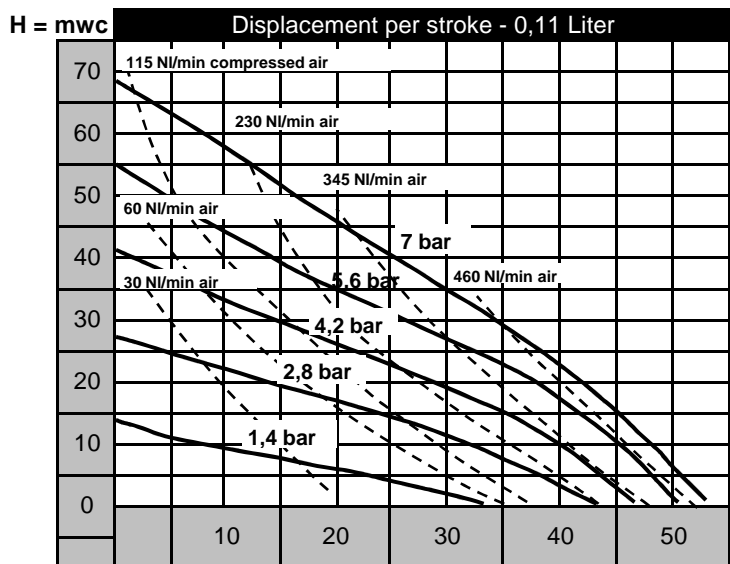


## PERFORMANCE FOR WATER



Caution! Compressed air pressure should not exceed 6,8 bar

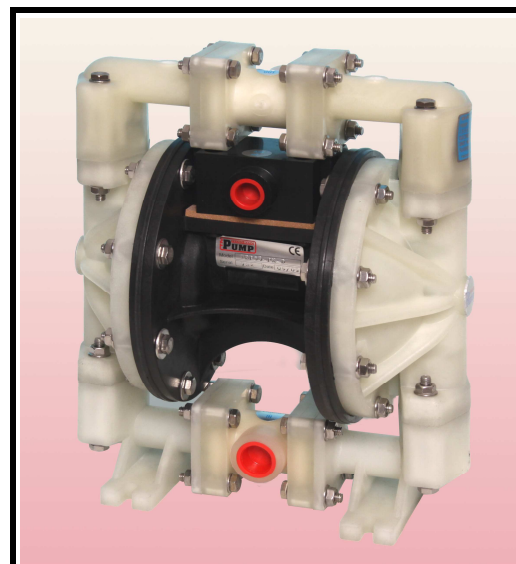
Attention! with Teflon-PTFE diaphragms the capacity will be reduced with 20%

### Execution

The pump chambers are bolted together  
 The air motor is fitted on an aluminium central body  
 The air motor is anti-stalling, non-icing, lubrication free and without blow-by.  
 Complete with JET muffler 72.0 dB(A)  
 Manifolds are 360° reversible

### Technical specifications

Flow	adjustable to 0 - 53 l/min	Air inlet	3/8" NPT-female
Discharge pressure	variable 0 - 6,8 bar	Air outlet	3/8" NPT-female
Suction lift	dry 4,5 m / wet 7,5 mwc		
Suction lift, Teflon	dry 1,5 m / wet 3 mwc		
Free passage	max. 1,6 mm Ø		
Suction connection	1/2" BSP-female (standard) or 3/4" male		
Discharge connection	1/2" BSP-female (standard) or 3/4" male		



## EMINENT

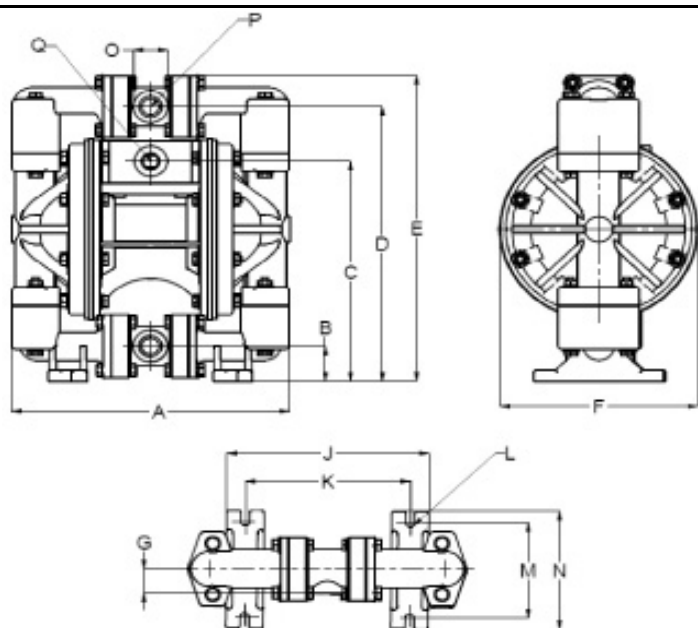
Serial Eminent includes Shoevalve System

Wetted pump parts	Weight
TE53-P - Polypropylene	4,5 kg
TE53-K - Kynar (PVDF)	5.5 kg

Elastomers		Temperature limits	
N	Neoprene	-18	till 95 °C
E	EPDM	-51	till 138°C
G	Geolast	-40	till 130°C
XL	Thermoplast	-30	till 150°C
V	Viton	-40	till 175°C
TW	Vulcanised Teflon	-4	till 105°C

Note! Geolast replaces EPDM, Buna, Neoprene

## DIMENSIONS



Metric mm.	
A	224
B	31
C	194
D	242
E	270
F	160
G	21
J	163
K	133
L	7
M	84
N	104
O	28
P	1/2" Female
Q	3/8" Female

## Specifications and Performances

Serial Eminent with Shoe Valve & Non Metallic Centersection

Consult factory for certified drawings.

