

# RF100 Triplex Filter

From £306.00 GBP



The RF100 Triplex trebles the capacity of the RF100 self-cleaning filter to a maximum usable flow (of 90 litres per minute). The RF100 Triplex self-cleaning inlet filter comprises three self-cleaning filter heads which keep the filter mesh clear, preventing the filter from blocking, protecting the pump and other equipment. It is easily installed to your pump's suction pipe and is robust and reliable. The filter can be used for many domestic and light industrial applications where there is a need to filter water contaminated with suspended solids. The filter's self-cleaning mechanism works as long as your pump is operating.

## Key Features

- Minimal maintenance thanks to self-cleaning mechanism
- Small and lightweight
- Compact and robust construction
- Easy to install and run
- Filters to 60 microns
- Protects newts and tadpoles from becoming trapped or injured
- Keeps pumps, analytical equipment & fountain nozzles from blockage
- Continuous backwash keeps filter mesh clear

## Models & Specification

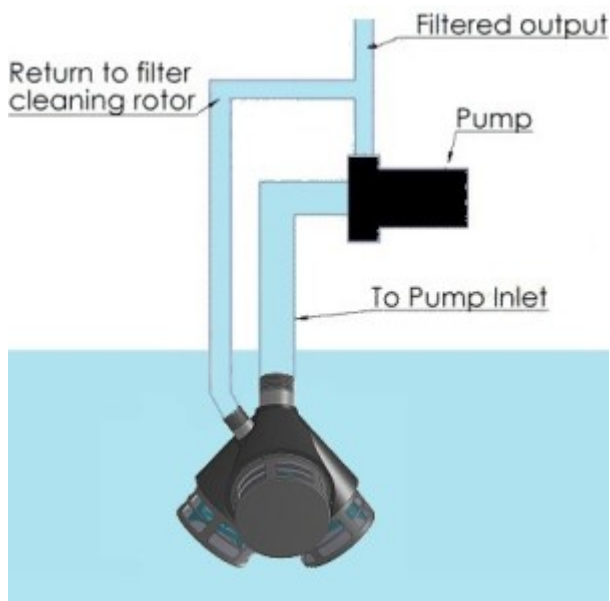
# Rotorflush RF100 Triplex Filter - Technical Specifications



The RF100 Triplex triples the capacity of the smallest of Rotorflush's award winning filters to a maximum usable flow (depending on conditions) of 90 litres per minute. The RF100 Triplex self-cleaning inlet filter is designed to protect surface mounted pumps and other equipment.

### **Ideal for:**

- Small irrigation systems
- Protecting equipment from weed and debris
- Filtration of samples to online analysers
- Protecting newts and tadpoles from pond pumps
- Rainwater harvesting systems
- Industrial Process Filtration
- Pond fountains and water features
- Anywhere a flow of filtered fluid is required.



The filter uses a proportion of the pump's output to supply a feed to the internal backwashing rotor. The twin jets of the cleaning rotor rotate at about 60 rpm in each filter head, cleaning their whole screen every  $\frac{1}{2}$  second. Approximately 20-30% of the pump output is required to supply the cleaning rotor.

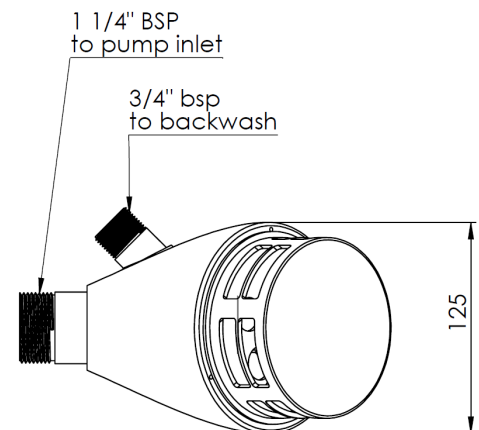
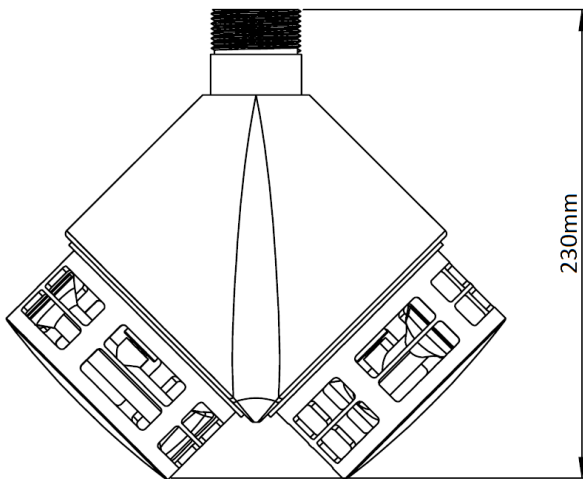
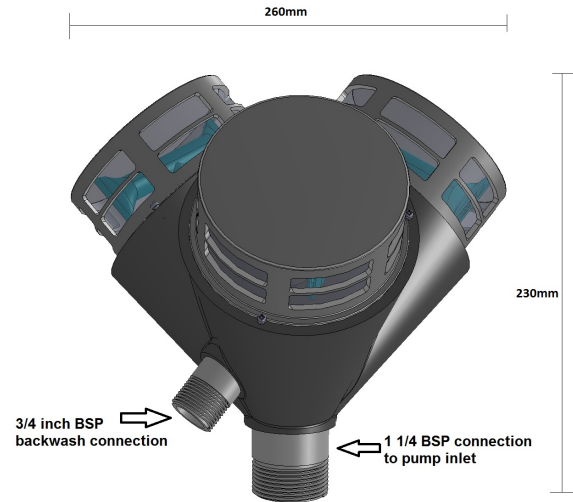
For a smaller capacity (up to 30 – 60 litres per minute) these filters can have two heads to form [a double headed duplex version](#) or one head giving [a single RF100 filter](#). They all use the same technology and filter cage, giving the same efficient self-cleaning backwash for a range of flow rates.

As the cleaning mechanism is on the filtered side of the screen debris in the water will not obstruct the mechanism.



General Characteristics	RF100 Duplex
Water supply to cleaning rotor	Tapped from pump outlet
Maximum output (m3 /hour)	3.6
Standard screen mesh aperture (mm)	60. 115, 250 Micron Nylon Mesh
Dimensions (diameter / width x height) mm (excl suctions / return couplings)	220 x 234
Weight (kg)	0.4

## RF100 Triplex Dimensions



## RF100 Triplex Self-Cleaning Intake Filter Construction



Component	Material
Filter cage and lid	Polypropylene
Jets	Acetal copolymer
Body	ABS (Acrylonitrile-Butadiene-Styrene)
Standard filter mesh screen	60, 115 or 250 Micron Nylon Mesh

## Ordering



**Rotorflush RF100 Triplex Self-cleaning Filter - up to 90 litres per minute: £306.00 GBP exc of VAT and carriage**

Please state filter mesh size: 60, 115 or 250 micron bias cut nylon mesh is available

Standard fittings are  $\frac{3}{4}$  inch BSP outlet, and  $\frac{1}{2}$  inch BSP inlet to the backwash.

If NPT connections are required please state when ordering

**Please note:**

**Delivery is by carrier and is usually between 3 and 7 days from order depending on product and availability.**

**Carriage and packing charges are extra.**

**Can't find what you need? Want to talk with us directly?**

**We're here to help. Call us on +44(0) 1297 560229**