

# RF100 Duplex Inlet Filter

From £245.00 GBP



The RF100 Duplex self-cleaning inlet is a twin headed filter with a capacity of up to 60 litres / minute and is designed to protect dry mounted pumps and other equipment. It has the same efficient self-cleaning action as the RF100 filter designed to keep the filter mesh clear, protecting the pump and other equipment. In ponds the gentle yet effective action of this filter protects newts and tadpoles and other aquatic life while providing an uninterrupted filtered supply of water. In more industrial settings debris and suspended solids can be filtered out of water- filter sizes are 60, 115 or 300 microns.

## Key Features

- Protects pumps, analytical equipment & fountain nozzles from blockage
- Self-cleaning so maintenance is minimal
- Low space requirement
- Compact lightweight and robust construction
- Reliable and economical
- Fine filtration to 60 microns
- Protects to pond life.

## Models & Specification

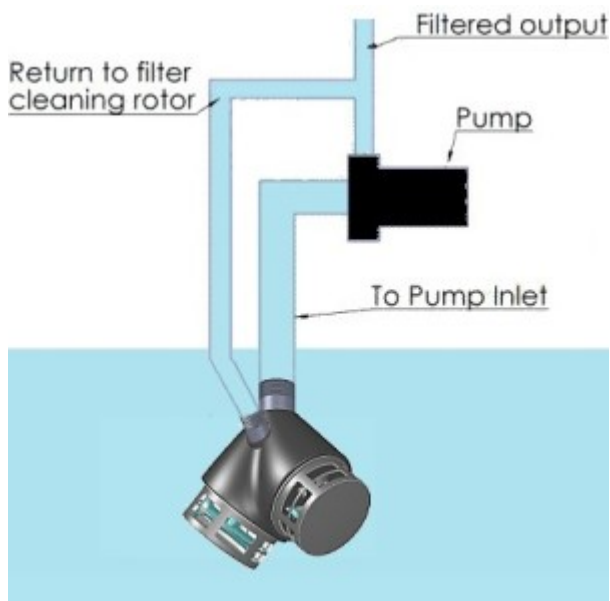
### Rotorflush RF100 Duplex Filter - Technical Specifications



The RF100 Duplex doubles the capacity of the smallest of Rotorflush's award winning filters to a maximum usable flow (depending on conditions) of 60 litres per minute. The RF100 Duplex self-cleaning inlet filter is designed to protect surface mounted pumps and other equipment.

#### **Ideal for:**

- Small irrigation systems
- Protecting equipment from weed and debris
- Filtration of samples to online analysers
- Protecting newts and tadpoles from pond pumps
- Rainwater harvesting systems
- Industrial Process Filtration
- Pond fountains and water features
- Anywhere a flow of filtered fluid is required.



The filter uses a proportion of the pump's output to supply a feed to the internal backwashing rotor. The twin jets of the cleaning rotor rotate at about 60 rpm in each filter head, cleaning their whole screen every  $\frac{1}{2}$  second. Approximately 20-30% of the pump output is required to supply the cleaning rotor.

For a larger capacity (up to 90 litres per minute) these filters can be combined to form [a triple headed duplex version](#) that uses the same technology and filter cages, giving 50% more the flow rate.

For a smaller capacity (up to 30 litres per minute) we offer a single RF100 filter [a single RF100 filter](#) that uses the same technology and filter cage, giving half the flow rate.

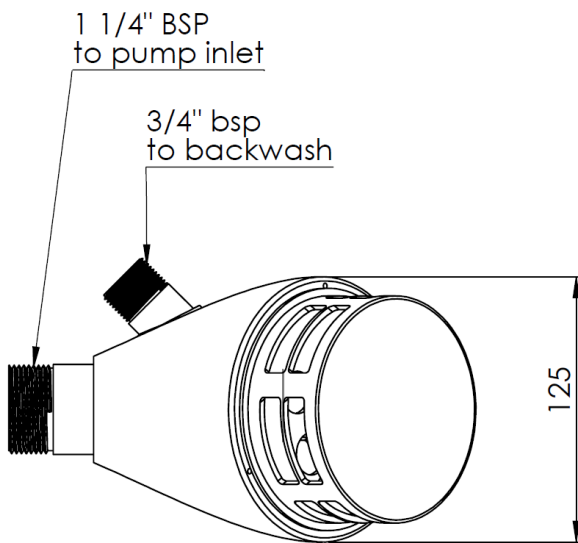
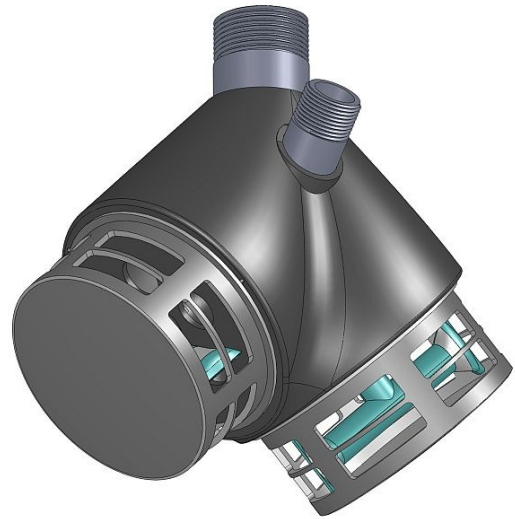
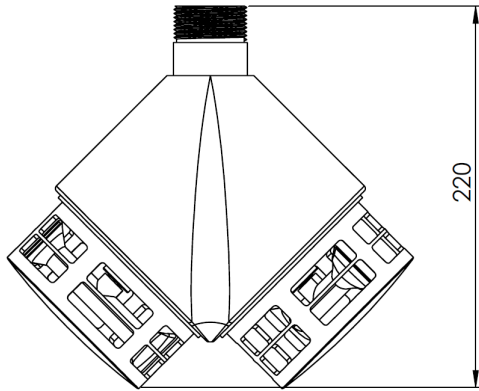
As the cleaning mechanism is on the filtered side of the screen debris in the water will not obstruct the mechanism.

---



<b>General Characteristics</b>	<b>RF100 Duplex</b>
Water supply to cleaning rotor	Tapped from pump outlet
Maximum output (m3 /hour)	3.6
Standard screen mesh aperture (mm)	60, 115, 250 Micron Nylon Mesh
Dimensions (diameter / width x height) mm (excl suctions / return couplings)	220 x 234
Weight (kg)	0.4

## RF100 Dimensions



## RF100 Self-Cleaning Intake Filter Construction



Component	Material
Filter cage and lid	Polypropylene
Jets	Acetal copolymer
Body	ABS (Acrylonitrile-Butadiene-Styrene)
Standard filter mesh screen	60, 115 or 250 Micron Nylon Mesh

---

## Ordering

**Rotorflush RF100 Duplex Self-cleaning Filter - up to 60 litres per minute: £245.00 GBP exc of VAT and carriage**



Please state filter mesh size: 60, 115 or 250 micron bias cut nylon mesh is available

Standard fittings are  $\frac{3}{4}$  inch BSP outlet, and  $\frac{1}{2}$  inch BSP inlet to the backwash.

If NPT connections are required please state when ordering

---

### **Please note:**

**Delivery is by carrier and is usually between 3 and 7 days from order depending on product and availability.**

**Carriage and packing charges are extra.**

**Can't find what you need? Want to talk with us directly?**

**We're here to help. Call us on +44(0) 1297 560229**