

RF100 Single Inlet Filter

From £189.00



The RF100 is the smallest of our award winning self-cleaning inlet filters. It filters up to 30 litres / minute and is designed to protect dry mounted pumps and other equipment. This robust and reliable filter is easily installed. With compact, lightweight design and simple connections they can be applied to a host of home, garden and light industrial applications where there is a need to filter water. The filter uses 15-20% of the pump's output drive the internal backwashing rotor, cleaning the whole screen every ½ second. Debris, wildlife and suspended solids are kept clear of the filter mesh, protecting your pump and other downstream equipment.

Key Features

- Protects pumps, analyser cells, jets, solenoid valves etc from blockage
- Self-cleaning, so maintenance is minimal
- Low space requirement
- Robust construction
- Reliable and economical
- Fine filtration to 60 microns
- Protects newts and tadpoles from becoming trapped or injured

Models & Specification

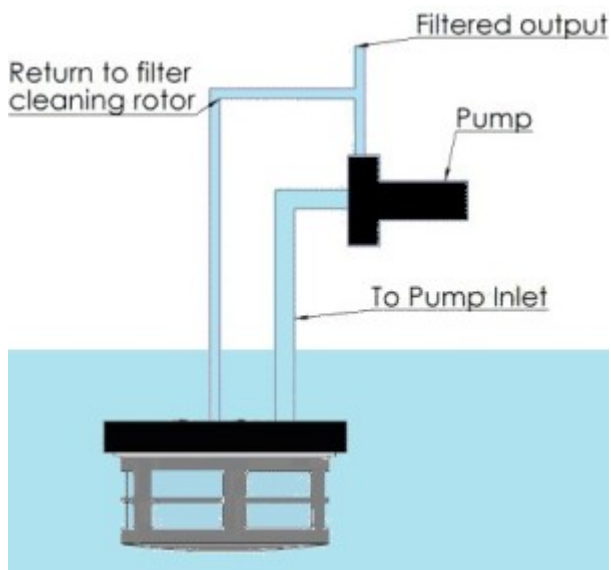
Rotorflush RF100 Filter - Technical Specifications

The RF100 is the smallest of Rotorflush's award winning filters with a maximum usable flow (depending on conditions) of 30 litres / minute. The RF100 self-cleaning inlet filter is designed to protect surface mounted pumps and other equipment.



Ideal for:

- Protecting newts and tadpoles from pond pumps
- Protecting equipment from weed and debris
- Filtration of samples to online analysers
- Small irrigation systems
- Rainwater harvesting systems
- Small pond fountains and water features
- Anywhere a flow of filtered fluid is required.



The filter uses a proportion of the pump's output to supply a feed to the internal backwashing rotor. The twin jets of the cleaning rotor rotate at about 60 rpm, cleaning the whole screen every $\frac{1}{2}$ second. Approximately 20-30% of the pump output is required to supply the cleaning rotor.

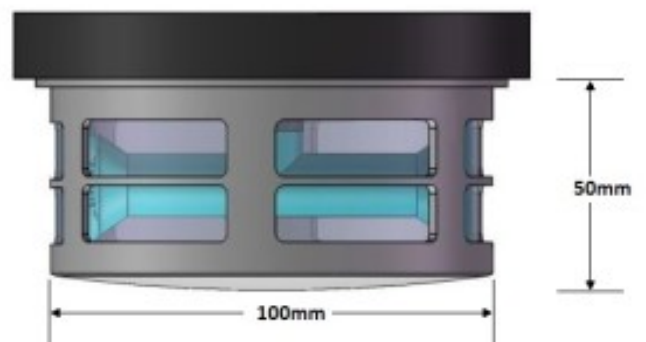
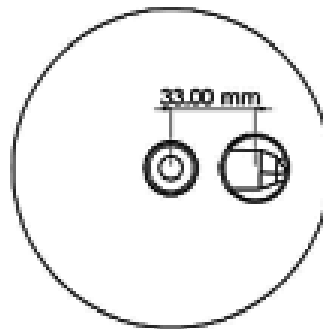
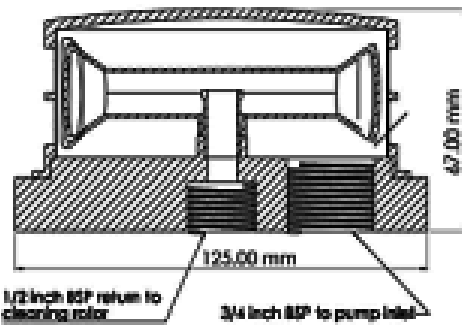
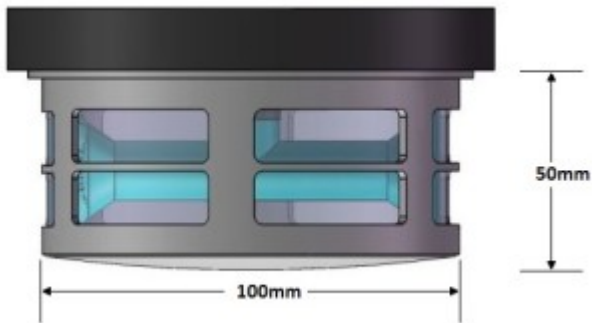
For a larger capacity (up to 60 litres per minute) these filters can be combined to form [a double headed duplex version](#) that uses the same technology and filter cages, giving twice the flow rate.

As the cleaning mechanism is on the filtered side of the screen debris in the water will not obstruct the mechanism



General Characteristics	RF100 Single
Water supply to cleaning rotor	Tapped from pump outlet
Maximum pump output (m ³ /hour)	1.8
Standard screen mesh aperture (mm)	60, 115, 250 Micron Nylon Mesh
Dimensions (diameter / width x height) mm (excl suctions / return couplings)	125 x 67
Weight (kg)	0.4

RF100 Dimensions



RF100 Self-Cleaning Intake Filter Construction



Component	Material
Filter cage and lid	Polypropylene
Jets	Acetal copolymer
Body	Acetal copolymer
Standard filter mesh screen	60, 115 or 250 Micron Nylon Mesh

Ordering

**Rotorflush RF100 Self-cleaning Filter - up to 30 litres per minute:
£189.00 GBP exc of VAT and
carriage**



Please state filter mesh size: 60, 115 or 250 micron bias cut nylon mesh is available

Standard fittings are $\frac{3}{4}$ inch BSP outlet, and $\frac{1}{2}$ inch BSP inlet to the backwash.

If NPT connections are required please state when ordering

Please note:

Delivery is by carrier and is usually between 3 and 7 days from order depending on product and availability.

Carriage and packing charges are extra.

Can't find what you need? Want to talk with us directly?

We're here to help. Call us on +44(0) 1297 560229
