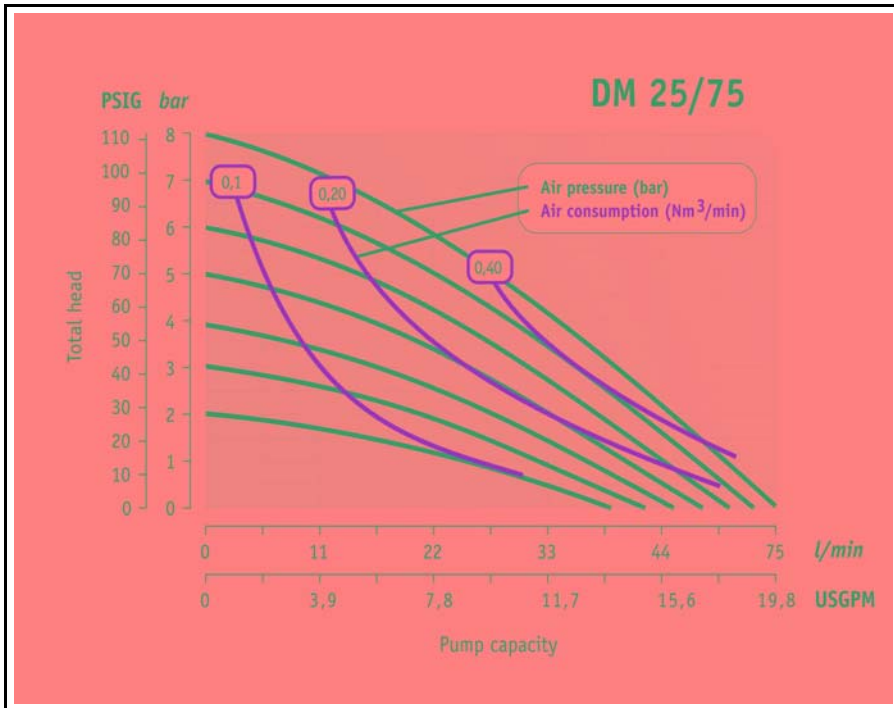


## PERFORMANCE FOR WATER



## MASTER SANITARY

Wetted pump parts	Weight
M 75-S-I	7,7 kg

Elastomers		Temperature limits	
E	EPDM	-51	till 138°C
TW	Vulcanised Tefl.	-4	till 105°C

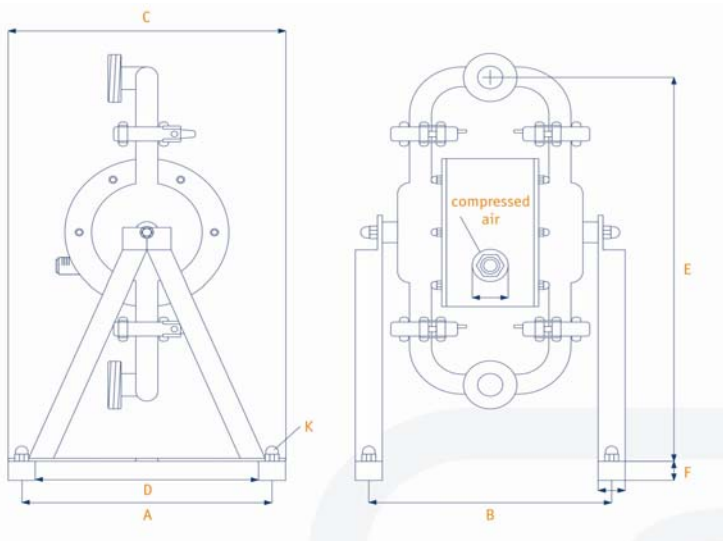
### Note:

For M 75 pumps fitted with Teflon diaphragms, reduce water discharge figures by 20%. Suction lift is reduced to 2.4 mtr. dry and 6 mtr. wet

### Technical specifications

Flow Rate: adjustable to 0 - 75 l/min  
 Discharge pressure: variable 0 - 8,5 bar  
 Suction lift: dry 3 m / wet 7,6 m  
 Suction lift, Teflon: dry 2,4 m / wet 6 m  
 Free passage: max. 5 mmØ  
 Suction connection: DN 25  
 Discharge connection: DN 25  
 Air inlet: 1/4"Female NPT (BSP)  
 Muffler: 1/4"Female NPT (BSP)

### DIMENSIONS



Dimensions	
Item	mm
A	233
B	223
C	250
D	83
E	385
F	18
Ø J	TC 1"-DIN 25
Ø K	8

### Specifications and Performances

Serial Master with Integrated Diaphragm Plates  
 Consult factory for certified drawings.

